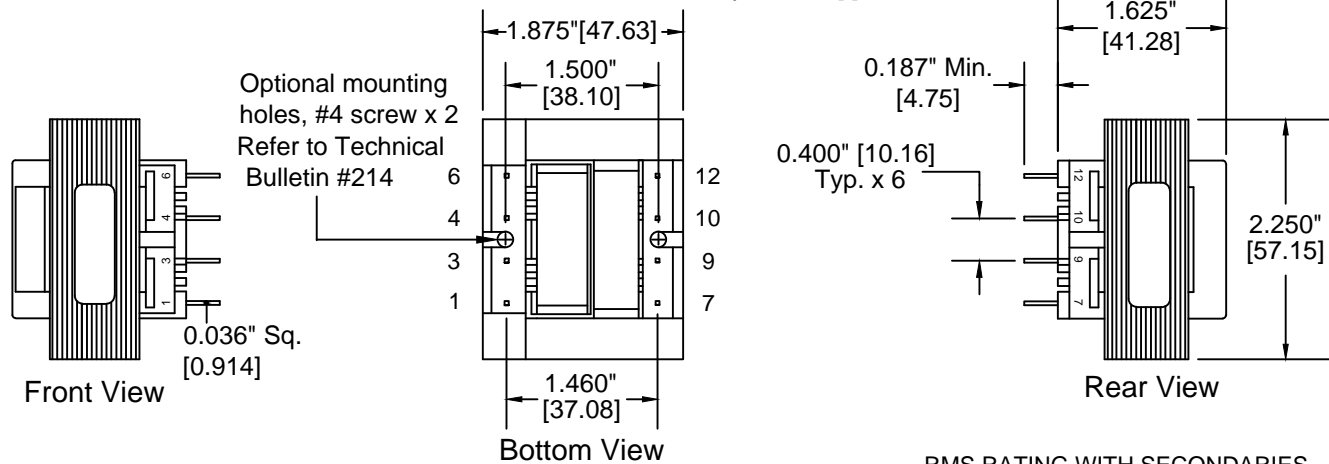


The SPHE-500 series is a High Efficiency - International Capable Standard PC Mount Power transformers. Rated 6 VA and 88% efficient it meets Energy Star < 0.5W specification for Low Input Power Consumption. With dual 115/230V primaries and dual secondaries these transformers provide the high isolation, creepage and clearance necessary to comply with international safety standards.

- Dielectric Strength - 4500Vrms Hipot primary - secondary
- Dual Primaries (must be used either Series or Parallel connected as one winding) 115/230V, 50/60Hz
- Dual secondaries - Series or Parallel
- 88% Efficiency
- Immersed in 100% solids epoxy resin to withstand most aqueous and solvent cleaning systems
- 100% Final Tested - Every transformer is tested on automated panels for induced voltage (shorted turns), exciting current, open circuit voltage (turns ratio), polarity (phasing) and dielectric strength
- Low Input Power Consumption, meets Energy Star <0.5W specification
- Shrouded primaries, Three flange bobbin design, no electrostatic shield required
- Flammability - Bobbin and Shroud Material meets UL 94-VO
- Insulation system - Class B (130 °C), UL 1446 (File E85315)

All dimensions reference unless otherwise specified. []=mm

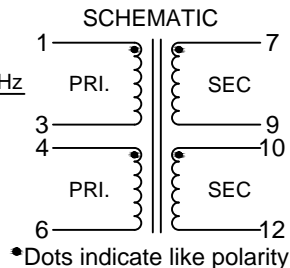


PRIMARY AND SECONDARY ARE DESIGNED TO BE USED AS ONE PRIMARY AND ONE SECONDARY WINDING WITH EITHER SERIES OR PARALLEL CONNECTION ONLY.

INPUT VOLTAGE 1 - 6 (TIE 3-4), 230V, 50/60Hz
 INPUT VOLTAGE 1 - 6 (TIE 1-4, 3-6), 115V, 50/60Hz

SECONDARY PARALLEL CONNECTIONS:
 TIE 7-10, 9-12; OUTPUT 7-12

SECONDARY SERIES CONNECTIONS:
 TIE 9-10; OUTPUT 7-12



RMS RATING WITH SECONDARIES CONNECTED IN:

Part Number	VA	Series	Parallel
SPHE-500	6.0	10Vct @ 600mA	5V @ 1.2A
SPHE-501	6.0	12.6Vct @ 500mA	6.3V @ 1.0A
SPHE-502	6.0	16Vct @ 400mA	8V @ 800mA
SPHE-503	6.0	20Vct @ 300mA	10V @ 600mA
SPHE-504	6.0	24Vct @ 250mA	12V @ 500mA
SPHE-505	6.0	28Vct @ 200mA	14V @ 400mA
SPHE-506	6.0	36Vct @ 170mA	18V @ 340mA
SPHE-507	6.0	48Vct @ 125mA	24V @ 250mA
SPHE-508	6.0	56Vct @ 110mA	28V @ 220mA
SPHE-509	6.0	120Vct @ 50mA	60V @ 100mA

- PRI TO SEC INSULATION: REINFORCED
- PRI TO SEC CREEPAGE: 8mm MIN. (POLLUTION DEGREE 2, MATERIAL GROUP IIIb)
- PRI TO SEC CLEARANCE: 8mm MIN.

THE DESIGN OF THIS PART IS INTENDED TO MEET THE LISTED SAFETY AGENCY REQUIREMENTS, PREM HAS NOT HAD THIS PART REVIEWED, APPROVED OR LISTED BY ANY SAFETY AGENCY.

SPHE-500 Series

Notes

Designed to meet:
 UL 60950
 VDE 0805 (EN 60950)

Fusing the transformer to meet safety agency requirements is the responsibility of the customer.

-3	Remove labels & correct electrical text	2-9-15
-2	Reword as Optional Mtg for #4 screw	12-4-14
-1	Refer to Bull. 214 Optional Mtg	8-25-14

PREM

MAGNETICS INCORPORATED
 3521 N. CHAPEL HILL RD.
 JOHNSBURG, IL 60051

**PREM PART SPHE-500
 INTERNATIONAL PC
 SERIES**

Approved: TJ KLOTZ

Scale: None

Date: 08/13/2010